

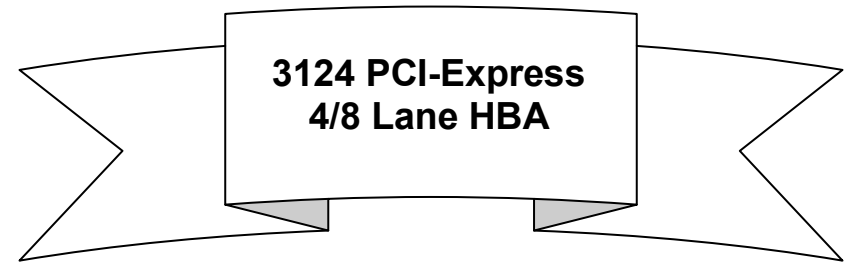
Trademarks and Copyright

Silicon Image and the Silicon Image logo are the trademarks or registered trademarks of Silicon Image, Inc. ("Silicon Image") in the United States and other countries. The information contained in this document is provided by Silicon Image as a courtesy and is, to the knowledge of Silicon Image, accurate. However, Silicon Image is under no obligation to keep the information contained in this document current. Silicon Image disclaims any and all liability resulting from the use of the information contained in this document and any reliance on such information shall be at the sole risk of the relying party. Silicon Image expressly reserves the right to change the information contained herein without notice.

Copyright © 2006, Silicon Image, Inc. All rights reserved. No part of this publication may be reproduced, transmitted, transcribed, or translated into any language or computer format, in any form or by any means without prior written permission of:

Silicon Image, Inc.
1060 East Arques Ave.
Sunnyvale CA 94085

Document Number: DOC-003124-303
Revision: 1.0



Quick Installation Guide



3124 PCI-Express 4/8 Lane HBA Card

Introduction

The 3124 PCI-Express 4/8 Lane Host Bus Adapter Card provides a high-speed interface between your host computer and a SteelVine Storage Appliance. The card supports up to four external Serial ATA devices and either single x8, single x4 or single x1 PCI-Express host communications. For optimal performance, it is recommended that you install Serial ATA drives of the same model and capacity.

Package Contents

- 3124 PCI-Express 4/8 Lane Host Bus Adapter Card
- CD-ROM containing the HBA Product Manual/Technical Specifications, the *Quick Installation Guide* and software drivers for Windows, Linux and Mac OS X
- Quick Installation Guide

If ANY of the contents are missing or damaged, contact your dealer/distributor immediately.

System Requirements

- Processor Type:
 - ✓ Intel Pentium, Celeron, or Xeon system (or equivalent AMD Opteron or Athlon system) for Windows systems
 - ✓ G5 for Macintosh systems
- Operating System:
 - ✓ Windows 2000 with Service Pack 4 (or later)
 - ✓ Windows XP with Service Pack 2 (or later)
 - ✓ Windows 2003 with Service Pack 1 (or later)
 - ✓ Mac OS 10.4.x (or later)
- An available PCI-Express compliant slot
 - ✓ The slot must be x8 or x16, although PCI-Express “downshifting” to 4 lanes is also supported
- An available SATA device
- CD-ROM or DVD-ROM drive



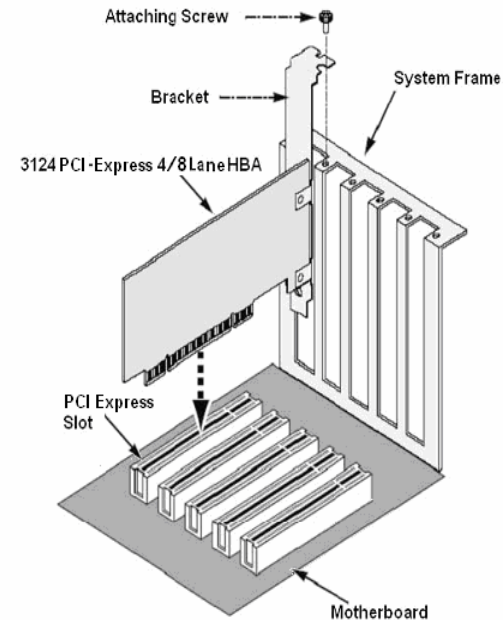
Warning:

The 3124 PCI-Express 4/8 Lane HBA card, like other parts of your computer, are subject to damage by static electricity. Prior to installation, make sure you are grounded (wear an antistatic strap or touch a grounded object) and for your personal safety, be sure to unplug your computer.

Installing an HBA Card

The 3124 PCI-Express 4/8 Lane HBA card fits into any available, compliant PCI-Express slot on your PC or Server motherboard. Be sure to use the following procedure to install the HBA card:

- 1). Turn-off your computer and unplug its power cord from the AC power receptacle.
- 2). Remove the cover of your computer.
- 3). Remove the inside slot cover of an available PCI-Express slot on the motherboard.
- 4). Install the 3124 PCI-Express 4/8 Lane HBA card and secure the bracket of the controller card to the frame of the system.



- 5). Replace the cover of your computer and plug the power cord back into an AC power receptacle.

External SATA Device Installation

The 3124 PCI-Express 4/8 Lane HBA supports up to 4 external SATA drive(s)/device(s). Drivers for Windows, Linux and MacOS X are included on the CD-ROM. Please refer to the product manual for driver installation procedures for your operating system. Drivers and installation instructions are also downloadable from the Steel Vine website at www.steelvine.com.

Hardware Installation Procedure

1. Connect one Serial ATA data cable between each external SATA device and an external SATA connector on the 3124 PCI-Express 4/8 Lane HBA
2. Power-on the external SATA devices.
3. Power-on your computer system to re-boot it.