

## Package Contents

- (1) SV-HBA3132 Host Bus Adapter Card
- (1) CD-ROM including:
  - HBA Product Manual/Technical Specifications
  - Software Drivers for Windows, Linux, Mac OS X
  - Quick Installation Guide
- (1) Quick Installation Guide

If ANY of the contents are missing or appear damaged, please contact your dealer/distributor immediately.



# SV-HBA3132

## Quick Installation Guide

Copyright © 2006, Silicon Image, Inc. All rights reserved. No part of this publication may be reproduced, transmitted, transcribed, or translated into any language or computer format, in any form or by any means without prior written permission of:

**Silicon Image, Inc.**  
1060 East Arques Ave.  
Sunnyvale CA 94085

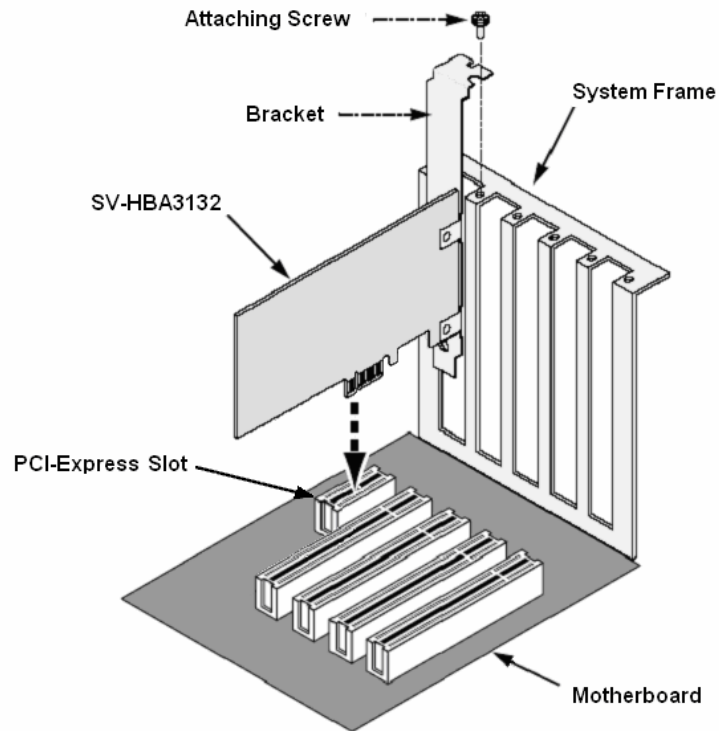
Silicon Image, Inc. reserves the right to make changes to the product(s) or specifications to improve performance, reliability, or manufacturability. Information furnished is believed to be accurate and reliable, but Silicon Image, Inc. shall not be responsible for any errors that may appear in this document. Silicon Image, Inc. makes no commitment to update or keep current the information contained in this document.

Document Number: DOC-003132-203  
Version: 1.0



## *SV-HBA3132 Card Installation*

The SV-HBA3132 Serial ATA card fits into any available PCI-Express slot on your PC or Server motherboard (below):



1. Turn off system.
2. Remove the cover of your system.
3. Remove the inside slot cover of an available PCI-Express slot on the motherboard.
4. Install the SV-HBA card into the open PCI-Express slot. Secure the bracket to the system's frame.
5. Attach the Serial ATA cables to the external or internal ports on the card.
6. Replace the cover of your system.

## *Disk Drives/Device Installation*

The SV-HBA3132 card supports up to two external Serial ATA devices. For optimal performance, install Serial ATA drives of the same model and capacity. The drives' matched performance allows the logical disk to function better as a single drive.

### Hardware Installation Procedure

1. Attach one Serial ATA data cable to each Serial ATA device (i.e. SV2000).
2. Attach the other ends of the cables to the connectors on the SV-HBA card.
3. Power on the external SATA device.
4. Boot up system

## *Software Driver Installation*

Please refer to the product manual for driver installation procedures for the Windows, Linux and Mac OS X operating systems. Drivers for Windows, Linux and MacOS X are included on the CD-ROM. Drivers and installation instructions are also downloadable from the Steel Vine website at [www.steelevine.com](http://www.steelevine.com).



### **Warning:**

The SV-HBA3132 card, like other parts of your system, is subject to damage by static electricity. Prior to installation, please make sure that you're properly grounded (wear an anti-static strap or touch a grounded object) and that you unplug your system.